

# QL1 - SYSTEM


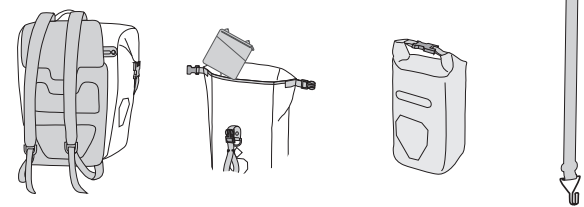

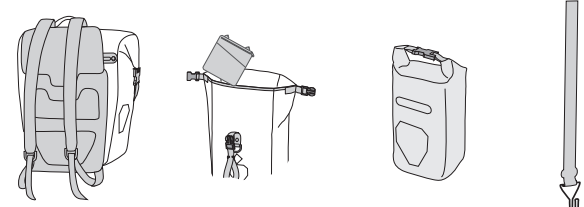


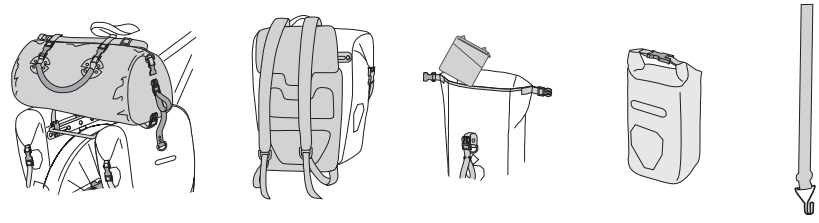

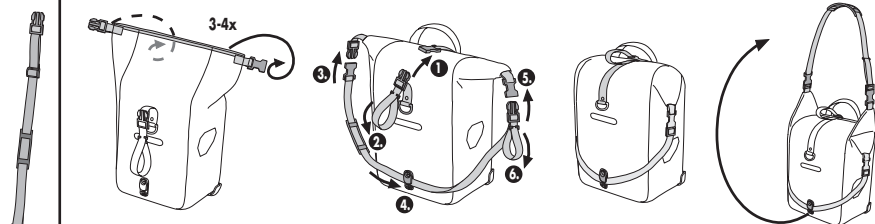
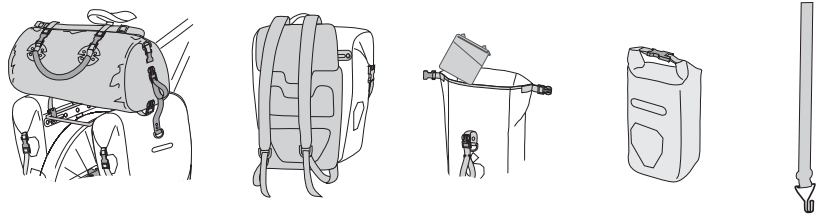
(D) MONTAGEANLEITUNG:  
 (GB) ASSEMBLY INSTRUCTIONS:  
 (F) INSTRUCTIONS DE MONTAGE:

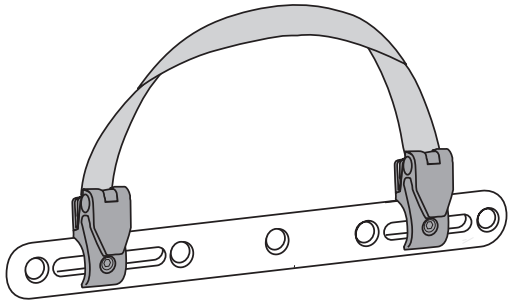
(I) ISTRUZIONI DI MONTAGGIO:  
 (NL) MONTAGE HANDLEIDING:  
 (DK) MONTERINGSVEJLEDNING:

(E) INSTRUCCIONES DE MONTAJE:  
 (S) MONTERINGS ANVISNING:  
 (N) MONTERINGS ANVISNING:

(SF) ASENNUSOHJEET:  
 (PL) INSTRUKCJA MONTAZU:  
 (J) 組立方法

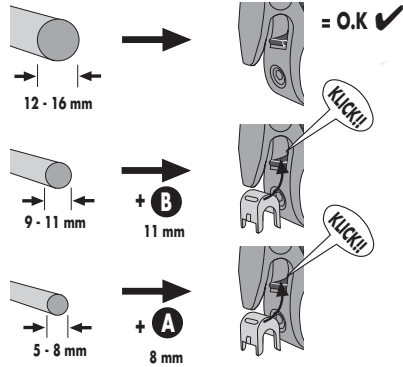


QL1 - MODELS		ACCESSOIRES
<b>Bike-Packer Classic</b> 	incl.	= + Art. #F33    In-Put = Art. #F39    = + Art. #F915    = + Art. Nr. E12 
<b>Sport-Packer Classic</b> 		= + Art. #F33    In-Put = Art. #F39    = + Art. #F915    = + Art. Nr. E12 
<b>Back-Roller Classic</b> 		= + Rack-Pack, Size M    = + Art. #F33    In-Put = Art. #F39    = + Art. #F915    = + Art. Nr. E12 
<b>Front-Roller Classic</b> 		= + Rack-Pack, Size M    = + Art. #F33    In-Put = Art. #F39    = + Art. #F915    = + Art. Nr. E12 

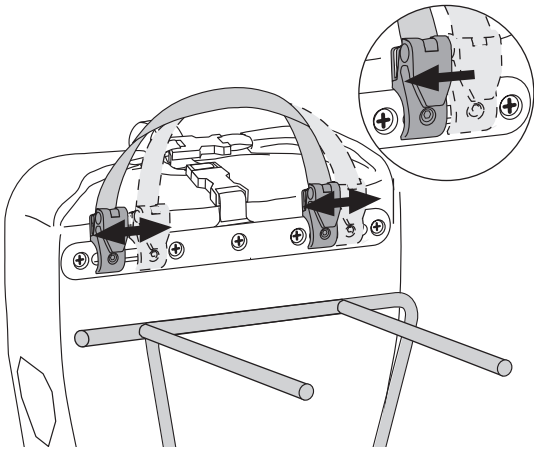


8 = **A** 8 mm  
11 = **B** 11 mm

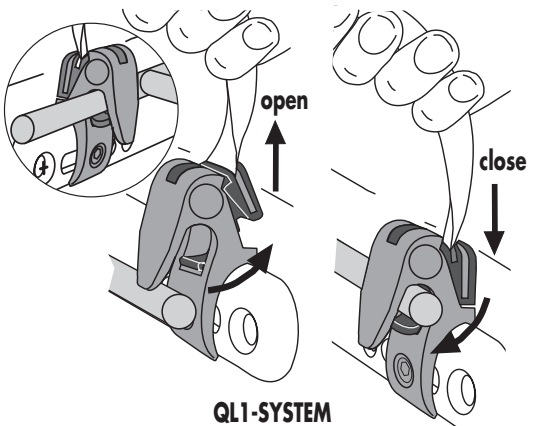
**A**



**B**

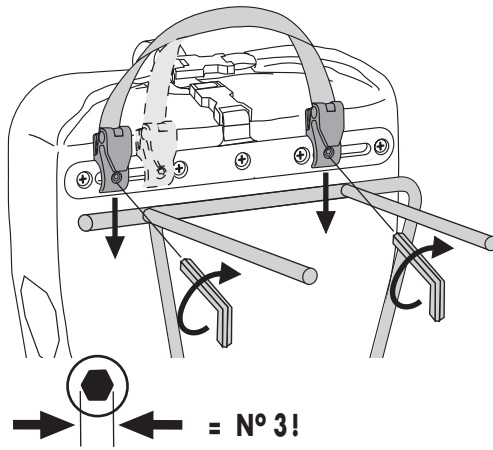


**D**

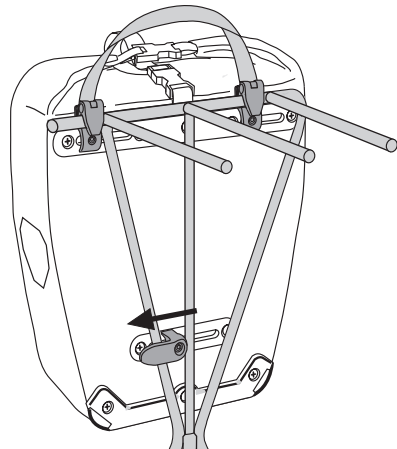


**QL1-SYSTEM**

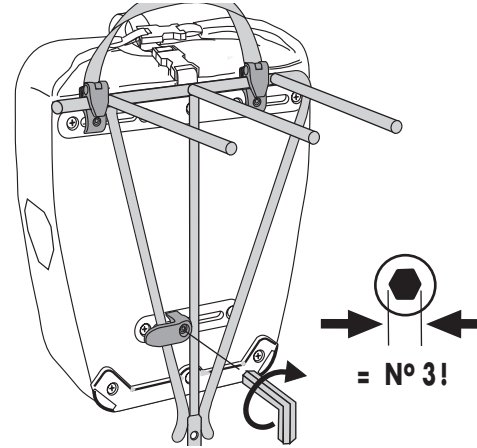
**C**



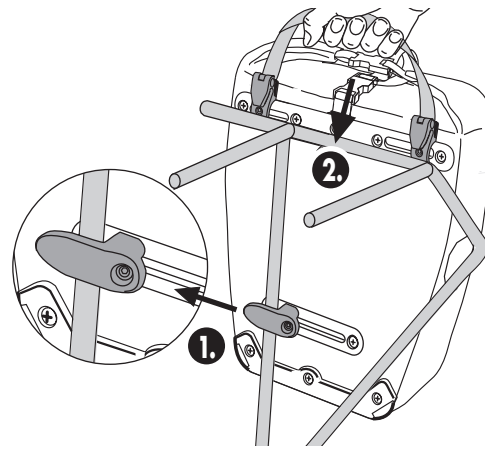
**E**



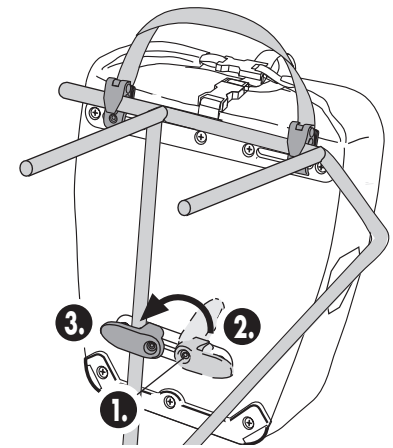
**F**



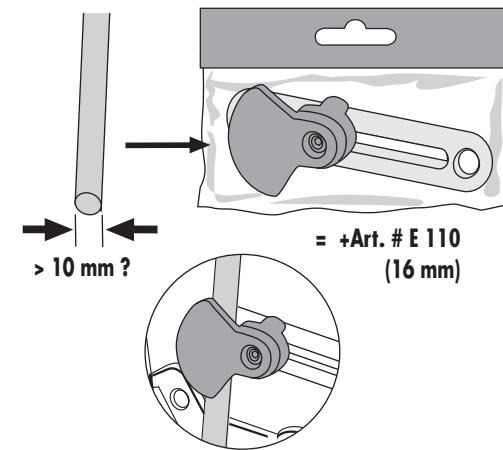
**H**



**G**



**OPTION**



- 
- 1.) 100 Km (60 Miles)
  - 2.) 500 km (300 Miles)
  - 3.) 1000 km (600 Miles)
  - 4.) 1500 km (900 Miles)
  - ..... etc.

