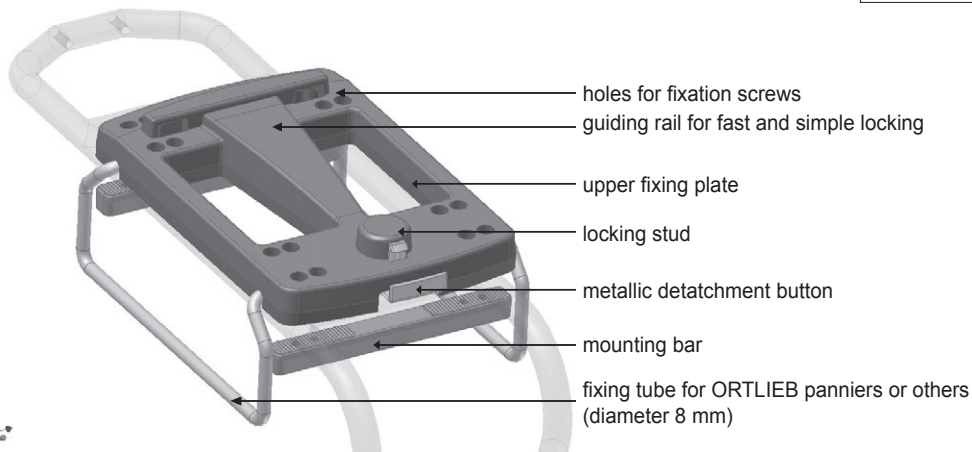


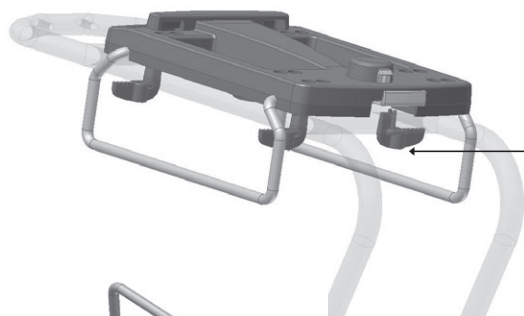
RACK ADAPTER



for Office-Bag2 / Travel-Biker / Bike-Box / Shuttle / Bicycle Basket



- holes for fixation screws
- guiding rail for fast and simple locking
- upper fixing plate
- locking stud
- metallic detachment button
- mounting bar
- fixing tube for ORTLIEB panniers or others (diameter 8 mm)



mounting brackets as alternative, if mounting bars cannot be used (2 sizes included)



adapter pins for stabilizing the fixing plate

Height cm/in.	Width cm/in.	Depth cm/in.	Weight g/oz.
8/3,1	20/7,9	16/6,3	510/18

- rack adapter for mounting Office-Bag2, Travel-Biker, Bike-Box, Shuttle Box and bicycle basket
- for racks with a maximum width of 5,5 in (140 mm)
- allows mounting of a rear basket on the rack (fixation plate for rear bicycle basket, article no. E 160, necessary)
- allows attachment of side panniers with QL1 or QL2 system or others while using Office-Bag2, Travel-Biker, Bike-Box, Shuttle or bicycle basket
- easy click into place and safe locking (three fixing points)
- „click“ noise when fixing
- quick and easy detachment due to smooth metallic push-button
- fits optimally suspension bicycles and mountainbikes with seat post racks or frame racks
- adapter is included with Office-Bag2, Travel-Biker, Bike-Box and Shuttle-Bike

Contents: fixing plate, aluminum frame, mounting bar, hooks, fixing screws, adapter pins

PRODUCT-INFO

Please find information on IP symbols on our info sheet or at www.ortlieb.com/ip-symbols

adapter-10-2008