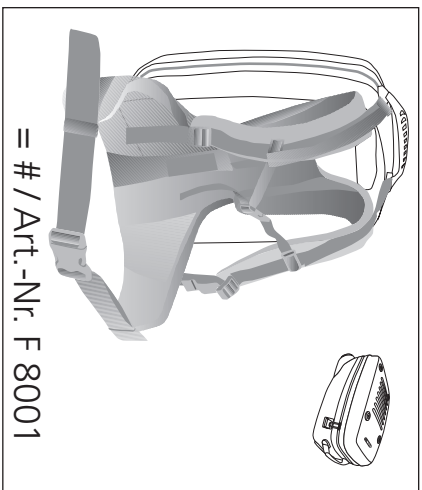


### OPTION

Travel-Biker

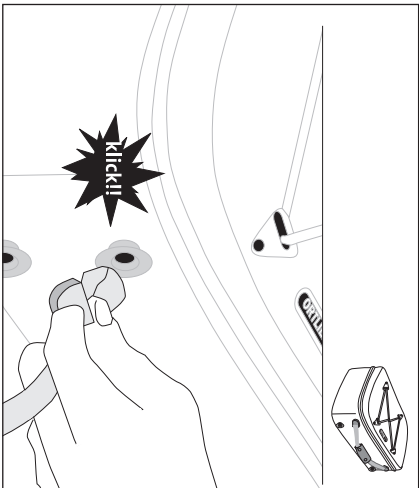
### OPTION



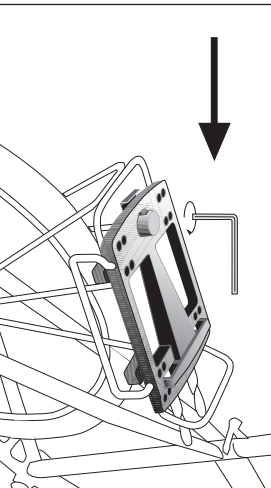
= # / Art.-Nr. F 8001

Shuttle

- (D) MONTAGEANWEISUNG:
- (GB) ASSEMBLY INSTRUCTIONS:
- (F) INSTRUCTIONS DE MONTAGE:
- (I) ISTRUZIONI DI MONTAGGIO:
- (NL) MONTAGE HANDLEIDING:
- (DK) MONTERINGSVEJLEDNING:
- (E) INSTRUCCIONES DE MONTAJE:
- (S) MONTERINGSANVISNING:
- (N) MONTERINGSANVISNING:
- (SF) ASENNUSOHJEET:
- (PL) INSTRUKCJA MONTAŻU:
- (J) 組立方法

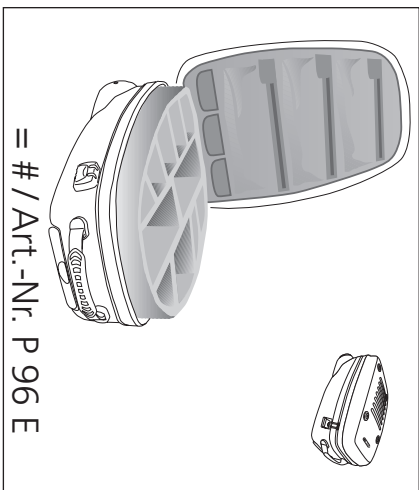


1. 100 km (60 miles)
2. 500 km (300 miles)
3. 1.000 km (600 miles)
4. 1.500 km (1000 miles)
- ... etc.



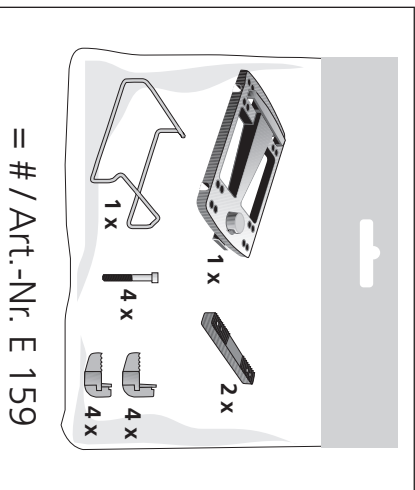
### OPTION

Shuttle



= # / Art.-Nr. P 96 E

### ACCESSOIRES / ACCESSORIES



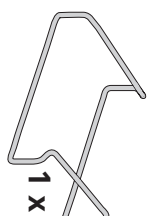
= # / Art.-Nr. E 159

Bike-Box2

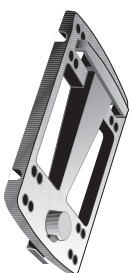
Office-Bag2

Travel-Biker

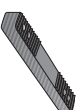
Shuttle



1 x



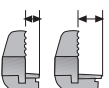
1 x



2 x

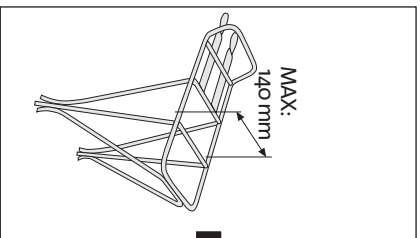


4 x

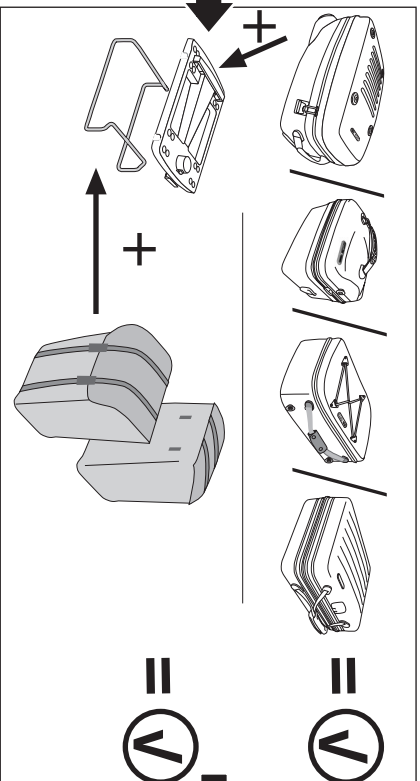


4 x

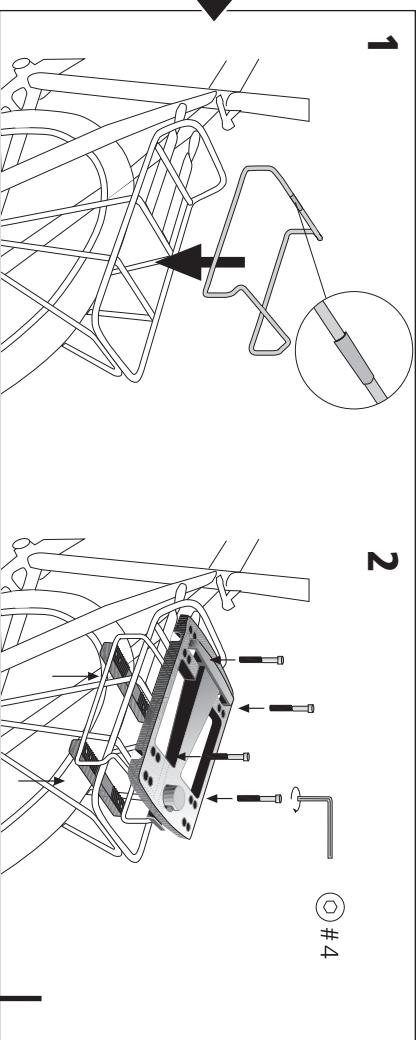
4 x



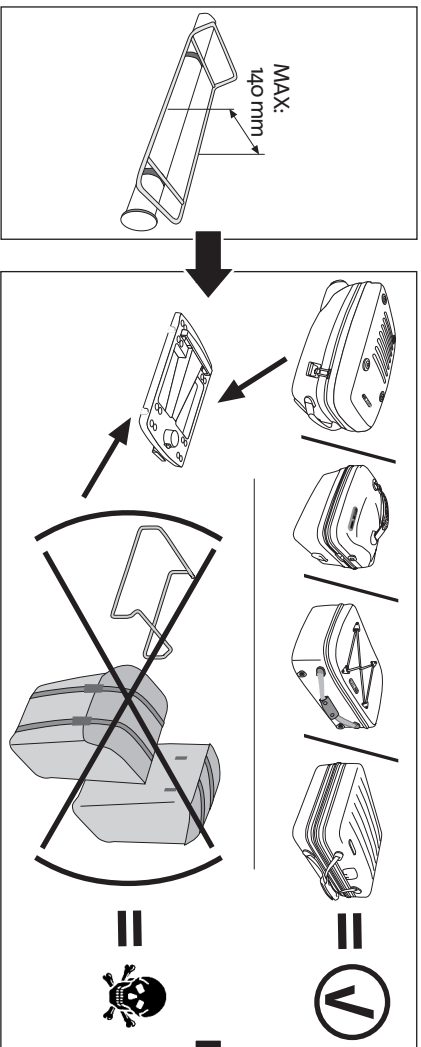
1A



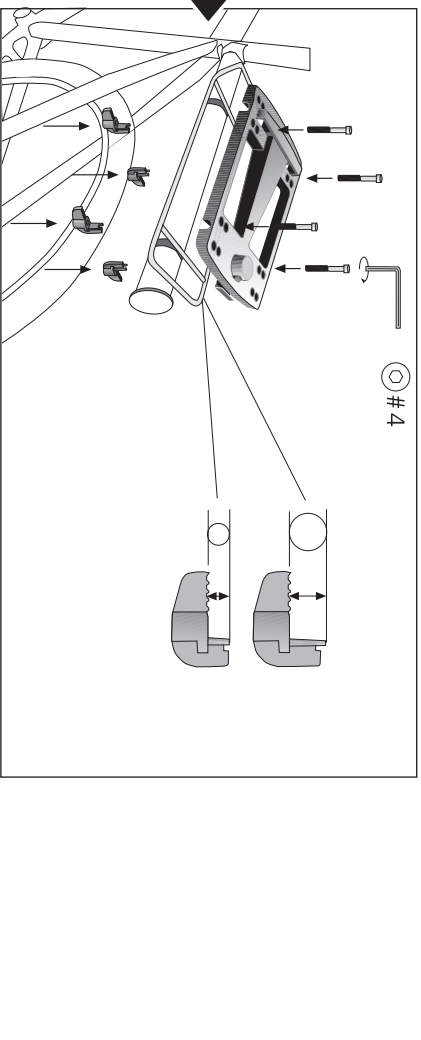
2A



1B



2B



3

